



Wave Waterproof Bluetooth Speaker

Item ref: 100.617UK Black; 100.618UK Silver

User Manual

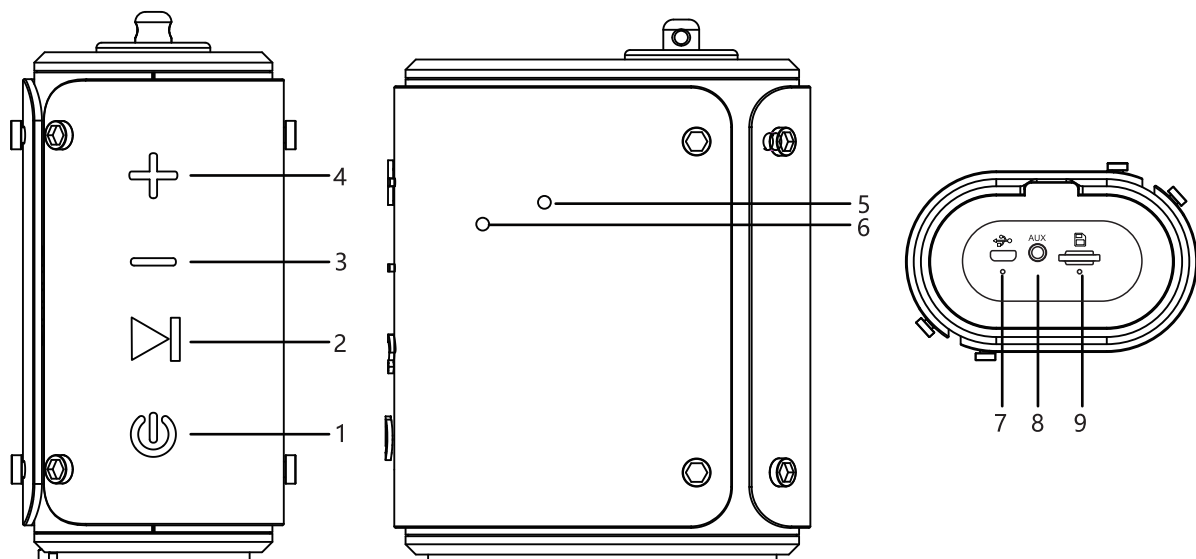
Take the music with you, with cutting edge features and powerful sound. Offering the latest Bluetooth connectivity for ultimate device compatibility, this portable speaker can go anywhere due to its waterproof and dust-proof design, handy wrist strap and up to 8 hours playback from a single charge. An inbuilt TF/Micro SD slot adds to its versatility, enabling direct playback of MP3 and WMA files. Choose from 2 contemporary colours to suit the stylish design.

- Stylish IPX6 waterproof and dust-proof design.
- Powerful 4W speaker and passive radiator provide crisp clear audio and surprising bass.
- Bluetooth 4.2 + EDR technology for lossless CD quality audio and superior device compatibility.
- Inbuilt microphone for hands-free phone calls.
- TF/Micro SD slot for direct MP3 and WMA playback.
- Inbuilt rechargeable battery with up to 8 hours playback.

Technical Specifications

Speaker	4W & passive radiator
Frequency response	90Hz~20KHz
Bluetooth version	4.2 + EDR
Bluetooth range	Up to 10m (clear line of sight)
Battery type	1200mAh rechargeable Lithium ion (inbuilt)
Battery life	Up to 8 hours
Input connections	TF/Micro SD Card, 3.5mm Line In, Micro USB (charging only)
USB Input	DC~5V/1200mA
Dimensions	80 x 95 x 50mm
Weight	200g

Controls Overview:



1. Power button:

Long press to turn the speaker on and off and short press to change the input mode between Bluetooth, TF card and Line-In. When in Bluetooth mode to pair with your device activate Bluetooth on your smartphone or tablet, then select **AV:LINK-WAVE** from the device list. Once paired successfully, a tone will be heard and the LED on the unit will light solid blue. The speaker will now 'remember' your Bluetooth device and connect automatically if the two devices are within range and set as 'discoverable'. If your device asks for a pairing code, please enter "0000".

2. Play/pause button:

Short press to play or pause the current track and to answer an incoming phone call during Bluetooth input mode, long press to reject the incoming call.

3. Previous track/lower volume button:

Short press to go back to the previous track in your playlist or long press to lower the master volume.

4. Next track/increase volume button:

Short press to go forward to the next track in your playlist or long press to increase the master volume. When the maximum volume is reached, an audible tone can be heard.

5. LED indicator:

Displays a solid red light during charging, which goes out when the unit is charged; Flashing blue light in Bluetooth pairing mode; Solid blue light when paired to a compatible device or connected via Line Input and rapid flashing blue light in TF mode.

6. Microphone:

The speaker has an inbuilt microphone, making it easy to make and receive hands-free phone calls while paired via Bluetooth with a smartphone. Incoming calls will interrupt any currently playing audio with a ringtone.

7. Micro-USB charging port:

Connect using the USB charging lead provided to a compatible power source for charging the device. A full charge can take anything up to 2 hours. **NB: we recommend that you only use the USB cable provided when charging the speaker.**

8. Line-In port:

Connect using a 3.5mm audio lead (not supplied) to a compatible audio device for direct audio playback. **NB: the track controls on the front of the speaker won't work when connected using this method.**

9. TF card slot:

The speaker is compatible with TF/MicroSD cards of up to 32GB in size and can play MP3 and WMA audio files directly. Simply insert a compatible card into the slot underneath the speaker and the unit will automatically switch to TF mode and play the first compatible track. You can use the media controls on the front of the unit to play, pause and navigate between tracks on the card.

In the box:

- | | |
|----------------------|-----------------------|
| 1. Bluetooth speaker | 3. USB charging cable |
| 2. Wrist strap | 4. User manual |

FAQ

Q) Why won't my Bluetooth device connect to the speaker? **A)** The speaker may not be in pairing mode, or the Bluetooth device may not be set as 'discoverable'. Check these settings, then try again.

Q) Why does the speaker disconnect from my Bluetooth device within the stated 10m transmission distance? **A)** Large metallic objects or other devices transmitting radio or wireless signals can impact on the reception of the speaker. To attain the maximum transmission distance, ensure there is a clear line of sight between the speaker and the Bluetooth device.

Q) Why won't the speaker switch on? **A)** The speaker may not be sufficiently charged. To recharge, connect the speaker to a USB port using the cable provided.

Q) Why won't the speaker connect to my PC or laptop? **A)** The speaker uses the A2DP Bluetooth profile. Please check that your PC or laptop supports this profile.



Safety Disclaimer

Do not attempt to service this product yourself as opening or removing covers may result in fire, electric shock or equipment damage and will also invalidate the warranty.

This product is classed as Electrical or Electronic equipment and should not be disposed with other household or commercial waste at the end of its useful life. The goods must be disposed of according to your local council guidelines.

