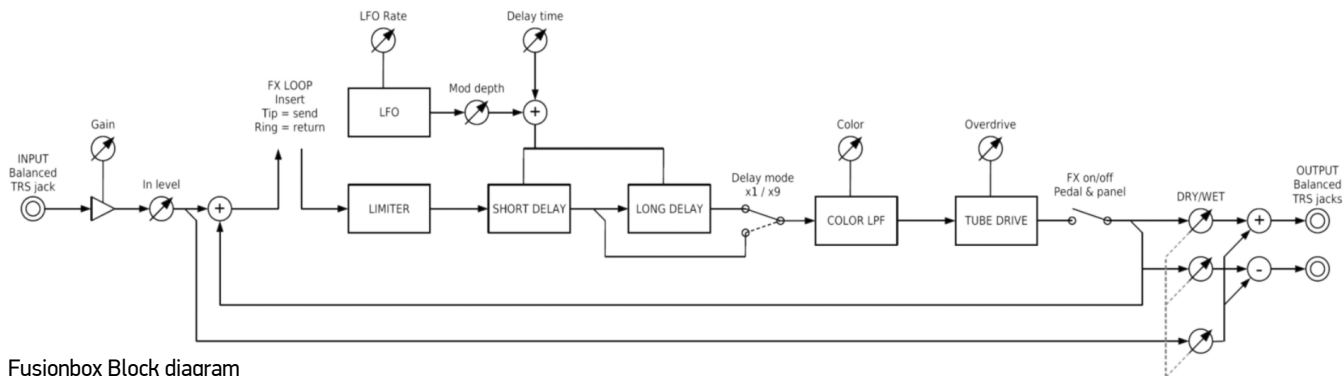


THANK YOU FOR ORDERING ERICA SYNTHS FUSIONBOX!

Erica SynthS Fusionbox is distinct multifunctional analogue effects unit that combines BBD chip based effects – delay, flanger, chorus – with an adjustable tube overdrive in the delay output and feedback path for extra thickness of sound. For more flexibility, lowpass filtering is fully adjustable from none to extreme for really deep bass sound. Special feature, not found in other contemporary stompboxes or effect units, is Vintage Stereo Ensemble.

Vintage Stereo Ensemble provides the classic “stereo ensemble” effect, found on many vintage synthesizers from almost any brand and make. In stereo ensemble effect, the delayed, processed and filtered sound is added back to the dry (mono) audio with inverted phase for one channel, and direct phase in other. This gives it the distinct and unique moving character, different than that obtained with chorus effects. However, use of inverted phase in stereo field also adds certain peculiarities to watch out for. For example, when such stereo audio is played back on an older “surround” decoding sound system, ensemble effect sound may move to the rear sound channel. Also, if the output gets mixed back to mono, the effect may disappear. This also applies to mono subwoofer systems, or speakers that are placed too close. This is normal, and occurs with any similar vintage stereo ensemble processing. In case if such oddities are undesirable, to avoid mono mixing issues, you can choose to use only one of the output channels, or use two separate ensemble processors for left and right channels.

Fusionbox has adjustable input gain, therefore it works with various sound sources – guitars, units with line level signals (synthesizers, grooveboxes, etc.) and modular synths. Footswitch allows to switch on or bypass effects making Fusionbox ideal for guitar players.



Fusionbox Block diagram

WHAT YOU GET?

- Fusionbox
- Universal 12V PSU
- User manual

FEATURES

- Delay and Flanger effects
- Vintage Ensemble Stereo effect
- Tube overdrive in the delay output and feedback path
- FX send/receive connector
- Footswitch connector
- 2 BBD chips (1024 and 4096 stages)
- Passive Lowpass filter for extreme subbass sound



SPECS

- Input signal level up to 20V ptp
- Input signal amplification up to +48dB
- Power supply: 110 – 220V
- Mass: 0,7kg
- Dimensions: 185x140x55mm

Power supply input

Use the PSU supplied with the Fusionbox! It's universal PSU you can use all over the world

ON-OFF switch

Slide to activate the unit! LFO LED will go on for visual control

Gain knob

Adjust input gain of the Fusionbox. CW setting boosts input signal for +48dB, so you can use Fusionbox with guitar

Audio Input Jack

Plug your sound source here! It accepts signals beginning from guitar pickups to modular synths

FX Loop Jack

You can use Fusionbox as FX insert. Tip is FX send and Ring is FX return

Footswitch Jack

You can bypass the effect on the Fusionbox via external footswitch (Not supplied with the Fusionbox). Bypass circuit is designed to accept any footswitch (On or Off) with 6,3mm jack connector

LFO Frequency Knob

Set LFO speed. The LED will indicate LFO output status. LFO is hard wired to modulate delay time

Colour Knob

It's lowpass filter on the output signal. CW (bright) setting means filter has no effect on the output signal, turning the knob CCW, you'll get dark, bassy sound on the output

Overdrive Knob

It applies distinct germanium diode overdrive to the signal that passes through the vacuum tube. CCW setting gives no overdrive, CW setting - crazy s**t

Modulation Level Knob

Adjust to achieve desired delay time modulation level

Long/Short Switch

Switch between Long delay mode (up to 800ms) and Short, more flanger-like, delay mode

Bypass Switch

The switch bypasses all effects. The switch is overridden by the footswitch

L and R Output Jacks

Fusionbox has balanced outputs for stage use. Watch your speakers!

Delay Time Knob

Adjust manually delay time! Full CW setting gives maximum delay time

Feedback Knob

Set desired feedback level from 0 to self-oscillation!

Dry/Wet Knob

Adjust balance between Dry and Wet signal. You'll get most interesting stereo effects with knob setting somewhere between 2 and 5

Audio Input Level Knob

Adjust input level. Please note that for tube effects audio level contributes to overall sound. In settings above 5 you will get interesting tube overdrive effects



SAFETY INSTRUCTIONS

Please follow the instructions for use of this Erica Synths module below, 'cause only this will guarantee proper operation of the module and ensure warranty from Erica Synths.

Water is lethal for most of the electric devices, unless they are made waterproof. Erica Synths module is NOT intended for use in a humid or wet environment. No liquids or other conducting substances must get into the module. Should this happen, the module should be disconnected from mains power immediately, dried, examined and cleaned by a qualified technician.



Do not expose the module to temperatures above +50° C or below -20° C.



Transport the instrument with modules installed carefully, never let it drop or fall over. Warranty does not apply to modules with visual damages.



The module has to be shipped in the original packaging only. Any module shipped to us for return, exchange and/or warranty repair has to be in its original packaging. All other deliveries will be rejected and returned to you. Make sure you keep the original packaging and technical documentation.



You will find Erica Synths terms of warranty at <http://ericasynts.lv/en/terms/>

Items for return, exchange and/or warranty repair have to be sent to: Erica Synths, Andrejostas Str.12, Riga, Latvia, LV-1045

DISPOSAL

This device complies to the EU guidelines and is manufactured RoHS conforming without use of led, mercury, cadmium and chrome.

Nevertheless, this device is special waste and disposal in household waste is not recommended.

Designed and made in Latvia.

User manual by Girts Ozolins@Erica Synths.

Design by Baiba Stelle.

Copying, distribution or any commercial use in any way is prohibited and needs the written permission by Erica Synths.

Specifications are subject to change without notice.

In case of any questions feel free to contact us via e-mail info@ericasynts.lv

Check out other Erica Synths modules & devices at www.ericasynts.lv