

2013 Product Catalog



JamStands® by Ultimate Support is the best choice in durable, innovative, long-lasting stands and accessories for the budget-conscious musician. With JamStands, Ultimate Support's industry-leading design team has developed the perfect assortment of stands and accessories for students, hobbyists and professionals alike. Our wide range of choices include guitar, keyboard, DJ, live sound, studio, and sheet music stands, all offered by Ultimate Support Systems — a known and trusted brand for over 30 years!

EQUIPMENT CARTS

KARMA CARTS

JS-KC90, item #17436

Features & Specs:

- Capacity: 300 lbs. (136 kg)
- Configurations: 8 Variations
- Finish: Powder Coat, Black
- Length: 27.5" - 44.25"
- Width: 17"
- Height: 24" (Deck to Tall Handle)
- Weight: 26 lbs. (11.8 kg)



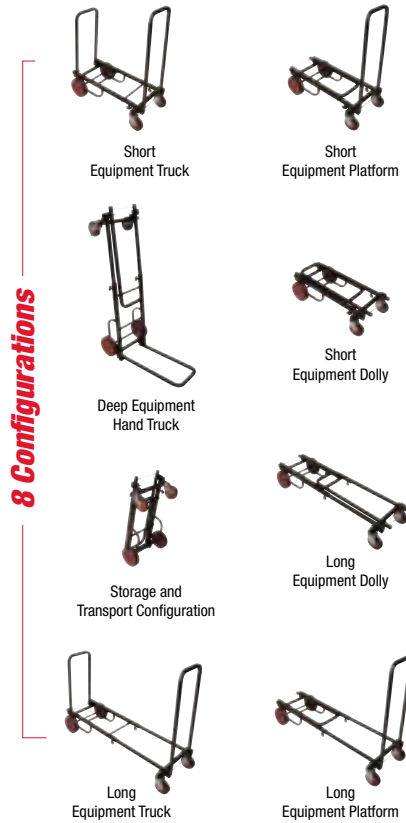
JS-KC80, item #17437

Features & Specs:

- Item Number: 17437
- Capacity: 200 lbs. (91 kg)
- Configurations: 8 Variations
- Finish: Powder Coat, Black
- Length: 25.25"-40.25"
- Width: 14.25"
- Height: 24" (Deck to Tall Handle)
- Weight: 16 lbs. (7.2 kg)



8 Configurations



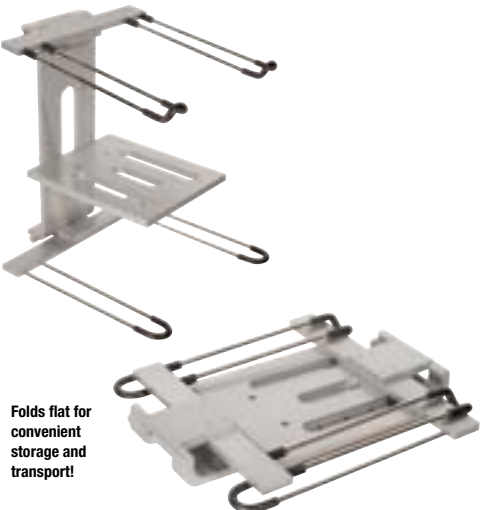
LAPTOP STANDS

DJ & MUSICIAN'S LAPTOP STAND

JS-LPT400, Item #17495

Features & Specs:

- For use with laptop, small mixer, CD player, DJ equipment, etc.
- Height-adjustable second tier for hard drives and other equipment
- Arms and legs lock in setup position
- Folds flat for easy and convenient storage and transport
- Dimensions: 24" x 15.5" x 12"
- Weight Capacity: 20 lbs. (9.1 kg)



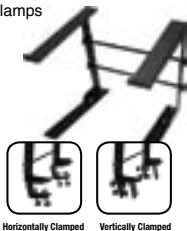
Folds flat for convenient storage and transport!

SINGLE-TIER LAPTOP/DJ STAND

JS-LPT100, Item #17358

Features & Specs:

- For use with laptop, small mixer, CD player, DJ equipment, etc.
- Includes desktop base and set of clamps for horizontal or vertical positioning
- Five Height Positions:
 - Front, 6.5" - 11" (165 mm - 279 mm);
 - Back, 9.5" - 13.75" (241 mm - 349 mm)
- Three Width Positions: 9.25" (235 mm), 10.25" (260 mm), 11.25" (286 mm)
- Platform Depth: 10.25" (260 mm)
- Weight Capacity: 20 lbs. (9.1 kg)



DOUBLE-TIER LAPTOP/DJ STAND

JS-LPT200, Item #17359

Features & Specs:

- Desktop Laptop/DJ Stand with vented accessory shelf
- Five Height Positions: Front, 6.5" - 11" (165 mm - 279 mm); Back, 9.5" - 13.75" (241 mm - 349 mm)
- Three Width Positions: 9.25" (235 mm), 10.25" (260 mm), 11.25" (286 mm)
- Main Platform Depth: 10.25" (260 mm)
- Accessory Platform Depth: 7.5" (190 mm)
- Weight Capacity: 20 lbs. (9.1 kg)



STUDIO MONITOR STANDS

STUDIO MONITOR STANDS (Pair)

JS-MS70, Item #17441

Features & Specs:

- Height-adjustable stand for studio monitors
- Locking pin ensures stable and accurate height positions
- Leveling floor spikes and rubber feet included
- Low-profile base can be easily positioned into tight spaces
- Locking heights include 32.25", 36.25", 40.25", 44.25"
- Platform Dimensions: 9" x 9"
- Base Spread: 17.25"
- Weight: 8.4 lbs.



STUDIO RACK

ROLLING RACK STAND

JS-SRR100, Item #16804

Features & Specs:

- Long-lasting steel construction
- 11-over-8 rack spaces
- Four casters, two with locks



GUITAR STANDS

TUBULAR GUITAR STAND LITE

JS-TG100, Item #17349

Features & Specs:

- Strong steel stand securely holds both acoustic and electric guitars
- Durable powder-coated finish
- Protective rubber at contact surfaces



TUBULAR GUITAR STAND

JS-TG101, Item #16786

Features & Specs:

- Strong steel stand securely holds both acoustic and electric guitars
- Durable powder-coated finish
- Protective rubber at contact surfaces



DOUBLE HANGING-STYLE GUITAR STAND

JS-HG102, Item #17232

Features & Specs:

- Strong steel stand securely holds two acoustic and/or electric guitars
- Durable powder-coated finish
- Protective rubber at contact surfaces



TRIPLE HANGING-STYLE GUITAR STAND

JS-HG103, Item #17246

Features & Specs:

- Strong steel stand securely holds three acoustic and/or electric guitars
- Durable powder-coated finish
- Protective rubber at contact surfaces



A-FRAME GUITAR STAND

JS-AG100, Item #16785

Features & Specs:

- Heavy-duty steel stand securely holds both electric and acoustic guitars
- Folds flat for convenient transport or storage
- Protective rubber at contact surfaces
- Four width settings to accommodate different sized instruments



WIRED A-FRAME GUITAR STAND

JS-AG75, Item #17354

Features & Specs:

- Five position width-adjustable A-frame style base
- Strong, steel wire frame sets up and breaks down quickly
- Supports both acoustic and electric guitars
- Incredibly portable and lightweight



AMP STAND

JS-AS100, Item #16790

Features & Specs:

- Strong steel stand securely holds amps weighing up to 90 lbs.
- Adjustable height for optimal sound
- A-frame base for additional support



MICROPHONE STANDS

6-PACK TRIPOD MIC STAND BUNDLE

JS-MCFB6PK, Item #17461

Features & Specs:

- 6 professional tripod mic stands w/boom arms
- Carrying bag included for FREE!
- Fixed-length boom arms
- Easy and convenient to transport or store



Includes FREE Tote Bag!!!

TRIPOD MIC STAND

JS-MC100, Item #16807

Features & Specs:

- Tripod base and die-cast leg housing for strong support
- Scratch-resistant powder-coated finish
- Easily adjust height with traditional turn clutch



ROUND BASE MIC STAND

JS-MCRB100, Item #16793

Features & Specs:

- Traditional round-base stand
- Scratch-resistant powder-coated finish
- Easily adjust height with traditional turn clutch



TRIPOD MIC STAND WITH TELESCOPING BOOM

JS-MCTB200, Item #16792

Features & Specs:

- Die-cast leg housing for strong support
- Scratch-resistant powder-coated finish
- Easily adjust height with traditional turn clutch
- Telescoping boom included



TRIPOD MIC STAND WITH FIXED-LENGTH BOOM

JS-MCFB100, Item #16791

Features & Specs:

- Die-cast leg housing for strong support
- Scratch-resistant powder-coated finish
- Easily adjust height with traditional turn clutch
- Height adjustable
- Fixed boom arm included



SHORT MICROPHONE STANDS

LOW-LEVEL TRIPOD MIC STAND WITH TELESCOPING BOOM

JS-MCTB50, Item #16796

Features & Specs:

- Sturdy tripod design
- Scratch-resistant powder-coated finish
- Height adjustable
- Telescoping boom arm included



LOW-LEVEL TRIPOD MIC STAND WITH FIXED-LENGTH BOOM

JS-MCFB50, Item #16795

Features & Specs:

- Sturdy tripod design
- Scratch-resistant powder-coated finish
- Height adjustable
- Fixed boom arm included



KICK DRUM/AMP MIC STAND

JS-KD50, Item #17231

Features & Specs:

- Heavy-duty low-profile mic stand
- Weighted base for stability
- Scratch-resistant powder-coated finish
- Height adjustable
- Boom arm included



KICK DRUM/AMP MIC STAND

JS-KD55, Item 17451

Features & Specs:

- Heavy-duty low-profile mic stand
- Weighted base for stability
- Angle adjustable at the base
- Scratch-resistant powder-coated finish
- Height adjustable
- Boom arm included



MICROPHONE BOOMS

TELESCOPING BOOM

JS-TB100, Item #16798

Features & Specs:

- Telescoping adjustable length
- Scratch-resistant powder-coated finish



FIXED-LENGTH BOOM

JS-FB100, Item #16797

Features & Specs:

- Fixed-boom length
- Scratch-resistant powder-coated finish



TABLE-TOP MICROPHONE STANDS

TABLE-TOP MIC STAND w/CLIP

JS-MMS1, Item #17259

Features & Specs:

- Small low-profile tripod mic stand
- Tripod base for stability
- Mic clip included
- Scratch-resistant powder-coated finish
- Height adjustable



TABLE-TOP MIC STAND

JS-DMS50, Item #17310

Features & Specs:

- Heavy-duty low-profile mic stand
- Weighted base for stability
- Scratch-resistant powder-coated finish
- Height adjustable



TABLE-TOP MIC STAND/GOOSENECK

JS-DMS75, Item #17311

Features & Specs:

- Heavy-duty low-profile mic stand
- Weighted base for stability
- Scratch-resistant powder-coated finish
- Easily adjust at a table or podium situation with the gooseneck
- Gooseneck included



MIC CLIPS



Universal Spring Mic Clip
JS-MC1, #17233

- Spring-loaded clip securely holds a variety of microphones
- Quick-release design



Slide-in Mic Clip
JS-MC3, #17243

- Upper end inside diameter: 1.1"
- Lower end inside diameter: 1"



Slip-in Mic Clip
JS-MC9, #17237

- Upgraded rubber coating ensures a secure hold
- Upper end inside diameter: .875"
- Lower end inside diameter: .75"

GOOSE NECKS



JS-GN6 - Item #17253
Size: 6" (152mm)

JS-GN13 - Item #17254
Size: 13" (330mm)

JS-GN19 - Item #17255
Size: 19" (483mm)

KEYBOARD STANDS

DOUBLE-BRACED X-STYLE KEYBOARD STAND
JS-502D, Item #17250

Features & Specs:

- Steel stand with X-style frame - assembled
- Double braced for additional stability
- Easy height adjustment with large knob



X-STYLE KEYBOARD STAND – Assembled
JS-500, Item #16808

Features & Specs:

- Steel stand with X-style frame – assembled
- Easy height adjustment with large knob



X-STYLE KEYBOARD STAND – Assembly Required
JS-XS300, Item #16837

Features & Specs:

- Steel stand with X-style frame – assembly required
- Easy height adjustment with large knob



MULTI-PURPOSE KEYBOARD STAND
JS-MPS1, #17252

Features & Specs:

- Steel stand with sturdy platform
- Large enough for mixers, 88-key keyboards, DJ gear, and more
- Height and width adjustable



Z-STYLE KEYBOARD STAND
JS-ZS100, #16799

Features & Specs:

- Steel stand with Z-style frame
- Large enough for mixers, 88-key keyboards, DJ gear, and more
- Width adjustable



KEYBOARD BENCHES

LARGE KEYBOARD BENCH
JS-LB100, Item #16800

Features & Specs:

- 3" padded seat
- Four height positions



MEDIUM KEYBOARD BENCH
JS-MB100, Item #16801

Features & Specs:

- 2" padded seat
- Four height positions



SMALL KEYBOARD BENCH
JS-SB100, Item #17184

Features & Specs:

- 1" padded seat
- Three height positions



PA SPEAKER STANDS

SPEAKER STANDS (Pair)
JS-TS50-2, Item #17318

Features & Specs:

- Long-lasting aluminum construction
- Durable powder-coated finish
- Tripod base is very stable and sturdy
- Height-adjustable
- Includes FREE tote bag!



Includes FREE Tote Bag!!!

SUBWOOFER POLE

Adjustable Subwoofer Pole
JS-SP50, Item #17509

Features & Specs:

- Heavy-duty steel construction
- Height adjustable from 31.5" to 52.5"
- Friction locking knob with security pin
- 1.375" upper and lower tubes



MUSIC STANDS

COMPACT MUSIC STAND
JS-CMS100, #16803

Features & Specs:

- Tripod base music stand folds into a compact, portable unit
- Three-piece stand is height adjustable
- The removable desk is angle adjustable.



ALLEGRO TRIPOD MUSIC STAND
JS-MS200, #16794

Features & Specs:

- Heavy-duty music stand with tripod base that is very sturdy and stable
- The removable desk is angle adjustable
- Stand folds compactly or convenient transport
- Long-lasting steel construction



BAND & ORCHESTRA STANDS

We have several great band and orchestra stands available for 2012! However, quantities are extremely limited so act fast today and call Ultimate Support to find out how you can have these proven stands at never-before-seen prices. Contact us today for more information!

A. CLARINET STAND
JS-CL25, Item #17262

B. STANDING SAX STAND
JS-ST5100, Item #17251

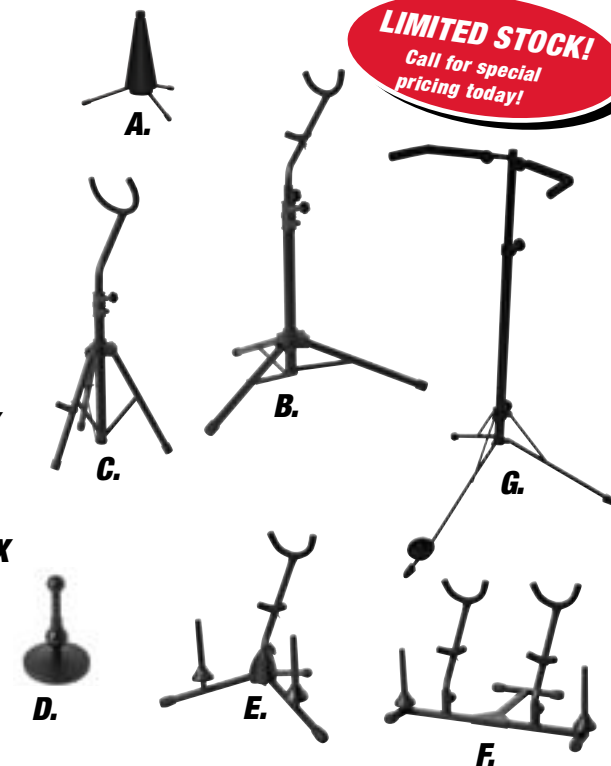
C. BARITONE SAX STAND
JS-BS50, #17228

D. SOPRANO SAX STAND
JS-SS25, #17229

E. MULTI-PEG SINGLE SAX STAND
JS-SS75, Item #17240

F. MULTI-PEG DOUBLE SAX STAND
JS-DS100, #17230

G. CELLO STAND
JS-CS50, #17261



LIMITED STOCK!
Call for special pricing today!



JAMSTANDS®
by Ultimate Support
THREE-YEAR WARRANTY

JamStands by Ultimate Support are durable and strong. In the unlikely event that a JamStands product should fail within 36 months after the original purchase due to a manufacturing defect, Ultimate Support is pleased to repair or replace that product.

**Please see www.ultimatesupport.com
for more information.**

This warranty applies to the original purchaser only and does not include damage to the product resulting from normal wear and tear, accident, misuse, improper installation or operation, or unauthorized repair or alterations.