

ACTIVE -1

Active Monitor Controller

Owners Manual



Important Safety Instructions

CAUTION: To reduce the risk of electrical shock, do not remove the cover or rear panel of this unit.

No user serviceable parts inside. Please refer servicing to qualified personnel only.

WARNING: To reduce the risk of fire or electrical shock, do not expose this appliance to rain or moisture.

DETAILED SAFETY INSTRUCTIONS:

All safety and operation instructions of this manual should be read and adhered to before operation.

Retain Instructions:

Please retain all safety and operating instructions for future reference.

Follow Instructions:

All operation and user instructions should be followed.

Water, Liquid and Moisture:

The appliance should not be used near water, rain or other liquids. Make sure that no liquid can leak, spill or otherwise seep into the appliance.

Ventilation:

Please place the appliance so no obstacles interfere or impede the flow of air through the ventilation openings.

Heat:

The appliance should be situated away from other heat sources such as heaters, radiators, ovens, or other appliances that produce heat.

Power Source:

Make sure your appliance is set to the correct voltage for the country in which it will be used before switching the device ON.

Grounding and Polarization:

Precautions should be taken so that the grounding or polarization means of an appliance is not defeated.

Power-Cord Protection:

Power supply cords should be routed so that they are not likely to be walked on, pinched, damaged, worn, or rubbed by any other device or obstacle.

Cleaning:

The appliance should be cleaned only with a light soft cloth. Do not use any damaging or corrosive products on the unit.

Periods of inactivity:

The power cord of the appliance should be unplugged from the outlet when left unused for a long period of time or in case a lightning storm occurs.

Damage Requiring Service:

The appliance should be serviced by qualified service personnel when:

- The power supply cord or the plug has been damaged; or
- Objects have fallen, or liquid has been spilled into the appliance; or
- The appliance has been exposed to rain; or
- The appliance does not appear to operate normally or exhibits a marked change in performance; or
- The appliance has been dropped, or the enclosure damaged.

Servicing:

The user should not attempt to service the appliance beyond that is described in the Operating Instructions.

All other servicing should be referred to qualified service personnel.

Contents

Important Safety Instructions	2
Introduction	4
Connections	5
Mains Power	5
Sources (Inputs)	6
Outputs	6
Footswitch (Talk Back Control)	7
+4/-10 dB Switch	7
Front Panel	8
Input Selector	8
Headphone Amplifiers	8
Dim Switch	9
Mute Switch	9
Mono Switch	9
Volume Control	9
Talkback Assignment Switches	10
Monitor Select Switches	10
Applications	11
Specifications	12
JBL Service Contact Information	14
Product Warranty Information	15

Introduction

Thank you for selecting the JBL Active 1. This product is designed to deliver optimal performance, functionality and years of reliable operation. To enjoy all the benefits of the Active 1, please take a moment to read this document. The versatile JBL ACTIVE-1 provides essential monitoring functions that enhance the work flow in professional recording, post production and broadcast applications, making it a valuable control room upgrade. The ACTIVE-1 accommodates four input sources (3 x stereo analog and 1 x USB) and provides three stereo analog outputs plus USB. In addition to allowing seamless A/B switching of input signals and monitor systems, the ACTIVE-1 delivers a full complement of audio monitoring functions, including a precision volume control, mono summing, mute and dim. A footswitch activated talk back system with an integrated condenser microphone allows communication with talent via the ACTIVE-1 headphone outputs, while routing voice "slates" to recording devices.

The ACTIVE-1 was designed with computer audio production in mind. On-board USB I/O provides a direct interface of the ACTIVE-1 to a computer, allowing computer system recording of all the input sources connected to the ACTIVE-1. At the same time, the USB functionality allows monitoring of the mix created on the computer. Housed in a sturdy metal chassis and fitted with an array of switches and secure connectors, the ACTIVE-1 is built to provide years of reliable operation.

JBL may update the contents of this manual without prior notice. The most recent version of this manual can be downloaded from the JBL Professional Website at www.jblpro.com

The Active 1 packaging was designed to protect the product from shipping damage. Nevertheless, we recommend that you carefully examine the packaging and its contents for any signs of physical damage, which may have occurred in transit. If, upon arrival, the units exhibits damage, please notify your dealer and the shipping company immediately.

Connections (rear panel)



Mains Power

The ACTIVE-1 includes an external AC power supply. The power LED on the front panel (to the left of the volume knob) will illuminate when the external power supply is connected and mains power is present. Please ensure the correct power supply is used with the ACTIVE-1 and that the power rating on the provided power supply suits your AC power outlet. **Please make sure your Mains voltage is compatible with the provided adaptor.**



Inputs

Three sets of input connectors are provided to allow connection of three signal sources. Input types for the three sources are as follows.

- Source A: Stereo RCA inputs
- Sources B and C: Two stereo sets of 1/4-inch (6.5 mm) input connectors
- Source D is the USB input. The USB input has a built in Legacy compatible driver for simple plug & play operation. The USB input does not need mains power to operate. An ASIO driver is also available for download from the JBL Professional website at www.jblpro.com.



Outputs

Three sets of output connectors are provided to allow ACTIVE-1 connection to powered studio monitors, PA speakers, mixers and recording equipment. Input types for the three sources are as follows: They are line level signal for plugging in your active studio monitors or to the inputs of a power amplifier that is driving your passive monitors.

- Outputs A and B: Two stereo sets of 1/4-inch (6.5mm) TRS connectors.
- Output 2T (2 Track): 1/4-inch (6.5mm) TRS connectors that can include the talkback signal.
- Source D is the USB output with Legacy driver built in. USB does not need mains power to operate. USB output carries the same signal that is selected using the MAIN SOURCE input.



TALK BACK Foot Switch Jack

You can connect a foot switch with two-conductor (Tip/Sleeve) plug to this 1/4-inch (6.5mm) jack. (optional and not included with ACTIVE-1*) Depressing the foot switch will activate the Talk Back system.

* A momentary PRESS-AND-HOLD type of foot pedal is commonly used with electronic musical keyboards. Alternately, if you prefer a PRESS-ON, PRESS-OFF (latching-type) foot switch, these are commonly used to activate effects processing in guitar amplifiers. Consult with your dealer for options.



+4/-10dB Output Level Switch

This switch is used to select the output level to allow compatibility with professional and consumer products with varied input sensitivities.



Front Panel



Switches

Use these switches to select input signal you wish to monitor.



Headphone Amplifiers

There are two independent headphone amplifiers provided on the ACTIVE-1. Each with its own volume control



Dim Switch

Activate this switch to decrease the level of the outputs by 20db. The DIM feature effectively reduces the output signal and therefore the listening level to allow discussion in the control room without having to change the position of the volume knob.

Mute Switch

Activate this switch to prevent signal output.

Mono Switch

Activate this switch to listen to the audio outputs in monophonic mode. This combines the stereo audio signal into a monophonic signal, which is useful when checking for any phase cancellation issues in the stereo signal.

Volume Control

As it is an ACTIVE device, the ACTIVE-1's Volume control, controls an electronic circuit, which in turn adjusts the level of the audio going through the device, providing gain increase as well as attenuation.



Talkback Switches and Volume

A built-in talkback microphone, can be routed to the headphone outputs or the 2TRACK outputs. When the Talkback function is engaged, the Control Room output signal is attenuated by 20 dB.



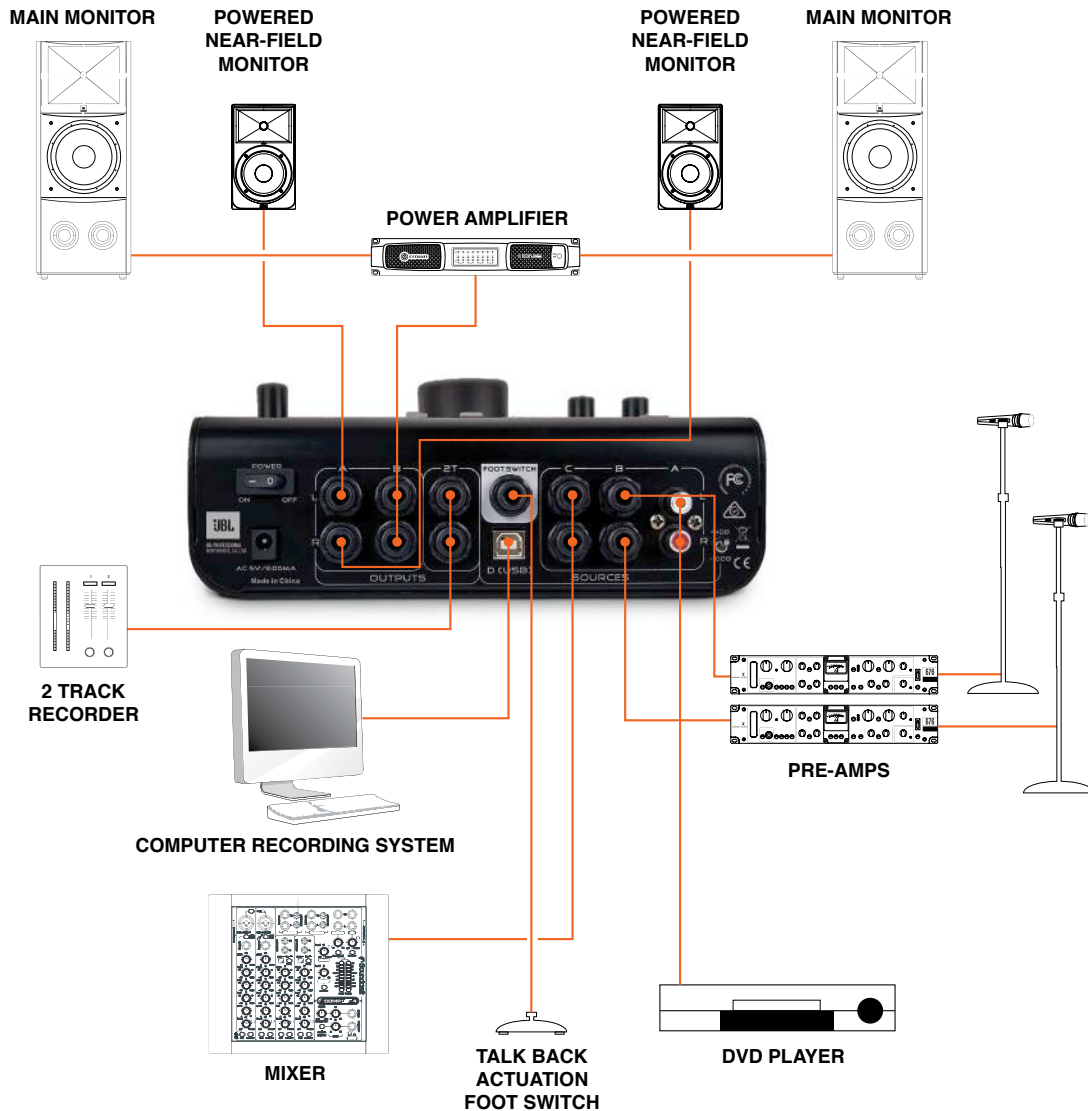
Monitor Select Switches

The monitor select switches activate the A & B outputs respectively. The A & B outputs can be selected simultaneously.



Applications

The ACTIVE-1 provides essential monitor controls in a professional control room. In this application, ACTIVE-1 allows monitoring using both large and near-field studio monitors. A mixer, 2 microphone preamplifiers and a DVD player can be recorded by a computer audio recording system. The computer recording system is connected using the USP I/O that also allows monitoring of the computer. An additional two-channel recorder is connected to the 2T outputs allowing stereo recording.

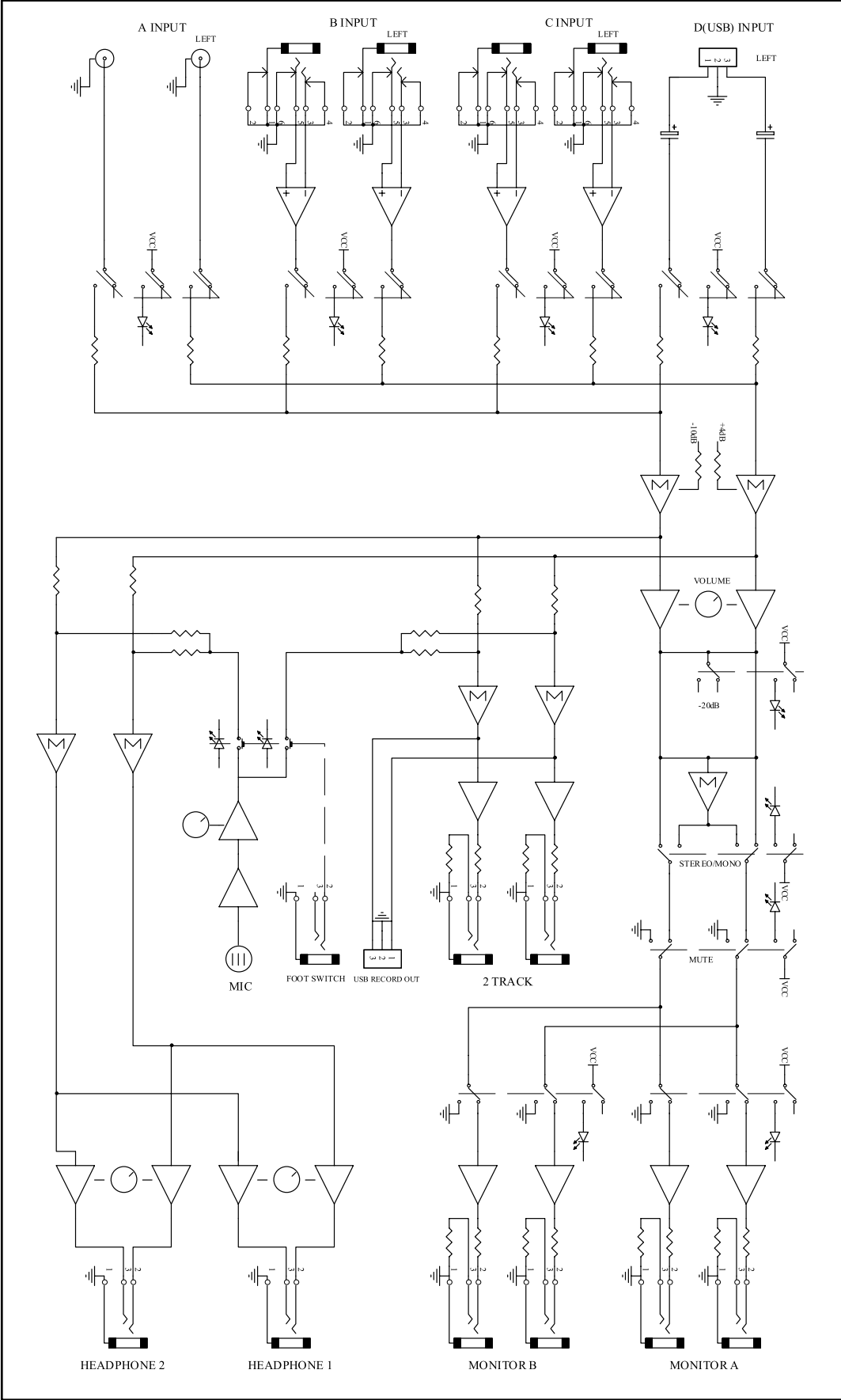


When connecting PASSIVE speakers, you must first connect the output of the ACTIVE-1 to a power amplifier and then connect the amplifier to the speakers.

Do not connect the OUTPUT of a power amplifier to the ACTIVE-1 INPUTS!

Specifications

Frequency Range:	Line Level Inputs and Outputs	+0.5 -1dB 10hz to 30kHz
Noise:	Monitor A B, Studio Outputs, 2-Track	-92dBu Typical
Audio Inputs:	Input Connectors	4 x TRS 1/4-inch (6.5mm) Balanced/Unbalanced
	Maximum Input Level	+4dBu/+22dBu
	Impedance	24K ohms balanced 12K ohms unbalanced
	Computer Audio Input	USB 2 Channel
Audio Outputs:	Output Connectors	6 x TRS 1/4 inch (6.5mm) Balanced/Unbalanced
	Impedance	300ohms balanced 150ohms unbalanced
	Output Level	+22dBu
	Master Volume Gain (Studio Outputs)	34 dB
	Computer Audio Output	USB 2 Channel
	Headphone Output	2 x 1/4 inch (6mm) TRS stereo output
	Headphone Output level Gain	+32dBu
Performance:	Dim Switch	-20 dB
	Frequency Response (Line In/Line Out)	+0.5 -1dB 10hz to 30kHz
	Noise (Monitor A B, Studio Outputs, 2-Track)	> -92dBu Typical
	Channel cross talk @ 1 kHz (Mute/Level OFF)	> 92dB
	Dynamic Range (Line IN to Line OUT)	114 dB
	Distortion	< 0.009%
	USB I/O Digital Performance	48 kHz, 24-Bit
Computer Interface:	Format	USB1/2
	Channels	2
	Drivers	Legacy type and ASIO
	Compatibility	All current USB Audio systems
Power Requirements:	Included Power Supply	AC 9V, 1200 MA
Physical:	Dimensions W x D x H	13.0 in. x 7.5 in. x 5.0 in. (330mm x 191mm x 127mm)
	Weight	2.0 lbs. (0.9 kg)



JBL Service Contact Information



TECHNICAL SUPPORT

If you have technical questions about your product or are experiencing difficulties we are happy to help. You can contact JBL Pro support by sending an email to: support@jblpro.com or by calling 1 (800) 8JBLPRO (800.853.5776) between the hours of 8:00 am and 5:00 pm Pacific Standard Time.

REPAIRS

JBL Professional has an extensive network of authorized repair facilities in the US. To view service locations listed by state, visit the Harman Professional Service Website at http://www.harmanpro.com/service_centers. For factory repair options you must obtain a service return authorization before returning your product for repair. Please send an email request to: service.us@jblpro.com.

PRODUCT REGISTRATION:

Register your product online at www.jblpro.com/registration

On The World Wide Web:

www.jblpro.com

PROFESSIONAL CONTACTS, OUTSIDE THE USA:

Contact the JBL Professional Distributor in your area. A complete list of JBL Professional international distributors is provided at our U.S.A. website: www.jblpro.com

EN DEHORS DES ETATS-UNIS:

Contactez votre Distributeur JBL Professional. Une liste complète de nos distributeurs internationaux est disponible sur le site web - www.jblpro.com

INTERNATIONAL:

Wenden Sie sich an Ihre örtliche JBL Professional Vertretung. Eine vollständige Liste der internationalen JBL-Vertretungen finden Sie auf unserer Website unter www.jblpro.com

FUERA DE LOS ESTADOS UNIDOS:

Comuníquese con el distribuidor de JBL Professional de su zona. En nuestro sitio web, www.jblpro.com, encontrará una lista completa de los distribuidores de JBL International.

Product Warranty Information

The JBL Limited Warranty on professional loudspeaker products (except for enclosures) remains in effect for five years from the date of the first consumer purchase. JBL amplifiers are warranted for three years from the date of original purchase. Enclosures and all other JBL products are warranted for two years from the date of original purchase.

WHO IS PROTECTED BY THIS WARRANTY?

Your JBL Warranty protects the original owner and all subsequent owners so long as: A.) Your JBL product has been purchased in the Continental United States, Hawaii or Alaska. (This Warranty does not apply to JBL products purchased elsewhere except for purchases by military outlets. Other purchasers should contact the local JBL distributor for warranty information.); and B.) The original dated bill of sale is presented whenever warranty service is required.

WHAT DOES THE JBL WARRANTY COVER?

Except as specified below, your JBL Warranty covers all defects in material and workmanship. The following are not covered: Damage caused by accident, misuse, abuse, product modification or neglect; damage occurring during shipment; damage resulting from failure to follow instructions contained in your Instruction Manual; damage resulting from the performance of repairs by someone not authorized by JBL; claims based upon any misrepresentations by the seller; any JBL product on which the serial number has been defaced, modified or removed.

WHO PAYS FOR WHAT?

JBL will pay all labor and material expenses for all repairs covered by this warranty. Please be sure to save the original shipping cartons because a charge will be made if replacement cartons are requested. Payment of shipping charges is discussed in the next section of this warranty.

HOW TO OBTAIN WARRANTY PERFORMANCE

If your JBL product ever needs service, write or telephone us at JBL Incorporated (Attn: Customer Service Department), 8500 Balboa Boulevard, PO. Box 2200, Northridge, California 91329 (818/893-8411). We may direct you to an authorized JBL Service Agency or ask you to send your unit to the factory for repair. Either way, you'll need to present the original bill of sale to establish the date of purchase. Please do not ship your JBL product to the factory without prior authorization. If transportation of your JBL product presents any unusual difficulties, please advise us and we may make special arrangements with you. Otherwise, you are responsible for transporting your product for repair or arranging for its transportation and for payment of any initial shipping charges. However, we will pay the return shipping charges if repairs are covered by the warranty.

LIMITATION OF IMPLIED WARRANTIES

ALL IMPLIED WARRANTIES, INCLUDING WARRANTIES OF MERCHANTABILITY AND FITNESS FOR PARTICULAR PURPOSE, ARE LIMITED IN DURATION TO THE LENGTH OF THIS WARRANTY.

EXCLUSION OF CERTAIN DAMAGES

JBL'S LIABILITY IS LIMITED TO THE REPAIR OR REPLACEMENT, AT OUR OPTION, OF ANY DEFECTIVE PRODUCT AND SHALL NOT INCLUDE INCIDENTAL OR CONSEQUENTIAL DAMAGES OF ANY KIND. SOME STATES DO NOT ALLOW LIMITATIONS ON HOW LONG AN IMPLIED WARRANTY LASTS AND/OR DO NOT ALLOW THE EXCLUSION OF INCIDENTAL OR CONSEQUENTIAL DAMAGES, SO THE ABOVE LIMITATIONS AND EXCLUSIONS MAY NOT APPLY TO YOU. THIS WARRANTY GIVES YOU SPECIFIC LEGAL RIGHTS, AND YOU MAY ALSO HAVE OTHER RIGHTS, WHICH VARY, FROM STATE TO STATE.

JBL Professional

8500 Balboa Boulevard
Northridge, CA 91329 USA
Visit us online at www.jblpro.com

Hear the truth.



Part Number:
5062311